

Safe, controlled starts

When the safety control lever is moved upward, the console moves with it, providing more room for entry and exit. To prevent unexpected machine movement during entry or exit, the pilot and travel controls are then disabled. This is the only time that the engine will crank over.

Straight travel

The U25-3's Hydraulic Matching System ensures safer loading and off-loading by keeping the U25-3 traveling in a straight line while operating the boom.

Swivel negative brake

Whenever the engine is stopped or the safety control lever is raised, the swivel negative brake automatically locks the house in its current position, thus eliminating the need for a swivel transport lock pin.

U25-3S OPTIONS

● Buckets

● Canopy lights

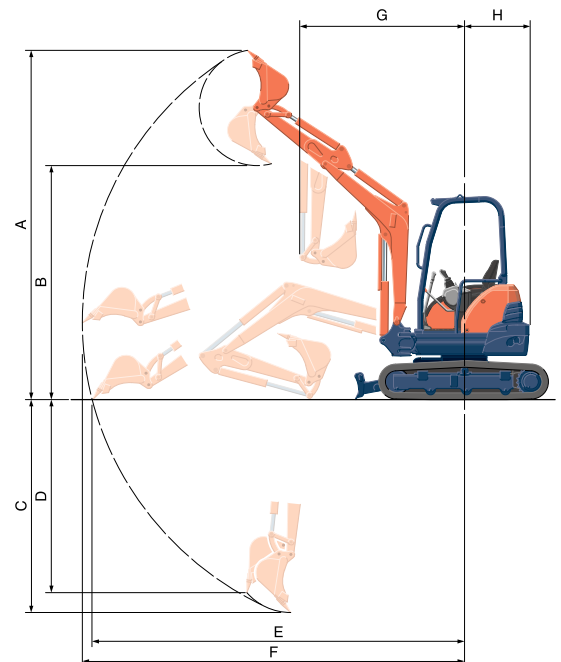
● Quick coupler



WORKING RANGE

Model			U25-3S	
A	Max. digging height	mm	4530	
B	Max. dumping height	mm	3210	
C	Max. digging depth	mm	2810	
D	Max. vertical digging depth	mm	1960	
E	Max. digging radius at ground	mm	4670	
F	Max. digging radius	mm	4770	
G	Min. turning radius	W/o swing	mm	1900
		With swing	mm	1420
H	Min. tail turning radius	mm	760	

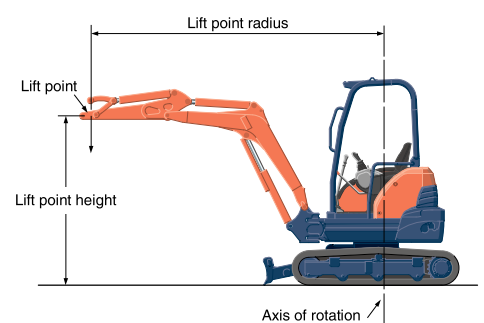
The company reserves the right to change the above specifications without notice. This brochure is for descriptive purpose only. Please contact your local Kubota dealer for warranty information. For your safety, Kubota strongly recommends the use of a Rollover Protective structure (ROPS) and seat belt almost all applications.



LIFTING CAPACITY

LIFT POINT HEIGHT (m)	LIFTING CAPACITY OVER-FRONT BLADE DOWN unit=ton				LIFTING CAPACITY OVER-SIDE unit=ton		
	LIFT POINT RADIUS (m)				LIFT POINT RADIUS (m)		
	2.5	3.5	MAX	2.5	3.5	MAX	
GL	2.5	-	0.46	-	-	0.35	-
	1.5	0.65	0.51	0.47	0.58	0.34	0.28
	0.5	0.91	0.58	0.50	0.54	0.33	0.27
	0	0.96	0.60	-	0.53	0.32	-

Machine with ROPS canopy and rubber crawler, without bucket

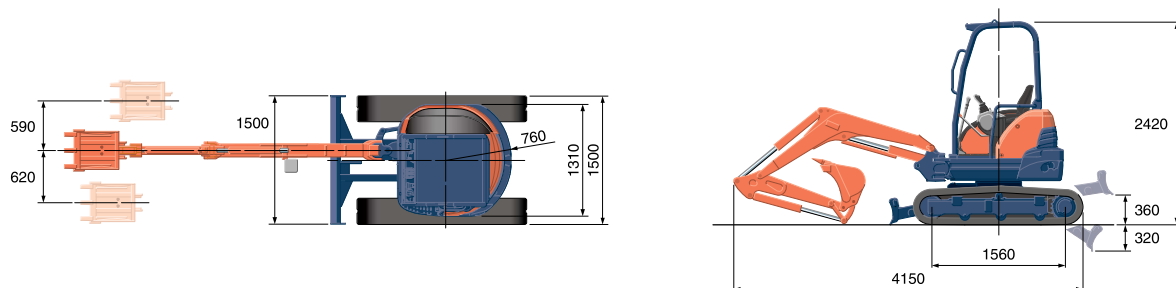


SPECIFICATIONS

Model		U25-3S		
Type of ROPS / FOPS		Canopy		
Type of tracks		Rubber		
Engine	Model		Kubota D1105-E3	
	Output (SAEJ 1995 gross)	HP (kW)/rpm	20.9 (15.6) / 2400	
	Output (SAEJ 1349 net)	HP (kW)/rpm	19.8 (14.8) / 2400	
	Displacement	cc	1123	
Dimensions	Overall length	mm	4150	
	Overall height	mm	2420	
	Overall width	mm	1500	
	Min. ground clearance	mm	285	
Hydraulic system	Pump capacity	ℓ/min	28.8 Piston × 2 / 19.2 Gear × 1	
	Auxiliary hydraulic flow	ℓ/min	48	
	Max. breakout force	Bucket / Arm	kgf	2320 / 1245
Drive system	Travel speed	km/h	2.5 / 4.5	
	Max. drawbar pull	kgf	3060	
	Tumbler distance	mm	1560	
	Crawler length	mm	2000	
	Shoe width	mm	300	
	Ground contact pressure	kgf/cm ²	0.23	
Swing system	Unit swing speed	rpm	9.8	
	Boom swing angle	Left / Right	degree	75 / 55
Blade	Dimensions	Width	mm	1500
		Height	mm	300
	Max. lift above ground	mm	360	
	Max. drop below ground	mm	320	
Hydraulic oil (reservoir / system)		ℓ	22 / 37	
Fuel reservoir		ℓ	28	
Operating weight (Including operator's weight 80 kg.)		kgs	2550	

*Specifications are subject to change without notice for purpose of improvement.

DIMENSIONS



Unit: mm

©2008 Kubota Corporation

Kubota

KUBOTA Tractor Australia Pty Ltd

Freecall: 1800 334 653

Email: sales@kubota.com.au

Web Site: <http://www.kubota.com.au>